

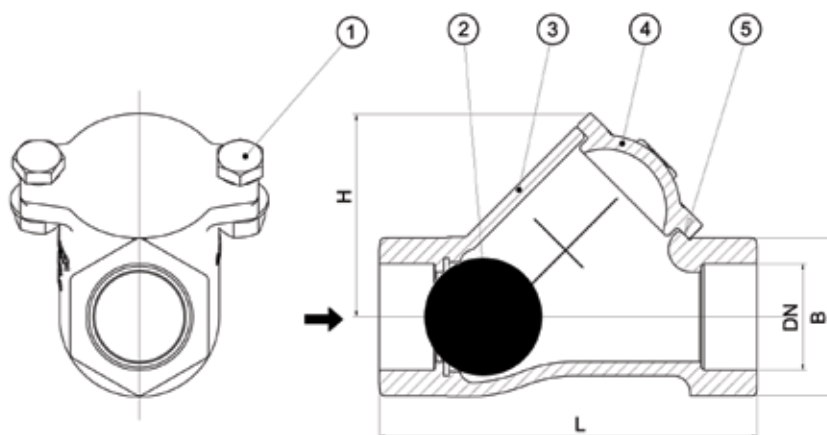
# BALL NON-RETURN VALVES – WITH THREAD



## BALL CHECK VALVES

- Used for one-way flow of sewage water,
- applicable to the pressure sewer or pumping stations,
- dimension of the thread – DN32 to DN65,
- connection thread „BSP“ according to ISO 228-1,
- maximum working pressure 16 Bar,
- operating temperature 10 ÷ 80 °C,
- seating according to category A standard ISO 5208,
- minimum back-pressure for tightness: 0,3 to 0,5 Bar,
- unreduced full flow,
- self-cleaning rubbered iron ball,
- stainless steel screws SS316,
- low pressure drop,
- silent operation,
- removable bonnet for cleaning or changing the ball,
- horizontal and vertical installation in the pipeline.

Type	Connection (mm)	L	B	H
DN32	32	135	50	72
DN40	40	145	60	85
DN50	50	175	70	100
DN65	65	200	90	125



Type	Name	Material
1	Screw	Stainless steel 316
2	Ball	Steel+ EPDM / NBR
3	Body	GG40 s FEB coated
4	Bonnet	GG40
5	Bonnet seal	NBR or EPDM

[www.mivalt.eu](http://www.mivalt.eu)

**MIVALT**

VALVES | PUMPS | COMPRESSORS | BLOWERS | FILTRATION

MIVALT s. r. o. | Hlinky 34, 603 00 Brno | T: +420 513 036 228 | M: +420 775 660 081 | [mivalt@mivalt.eu](mailto:mivalt@mivalt.eu) | [obchod@mivalt.eu](mailto:obchod@mivalt.eu) | [www.mivalt.eu](http://www.mivalt.eu)