

MP-T two-way teflon valves



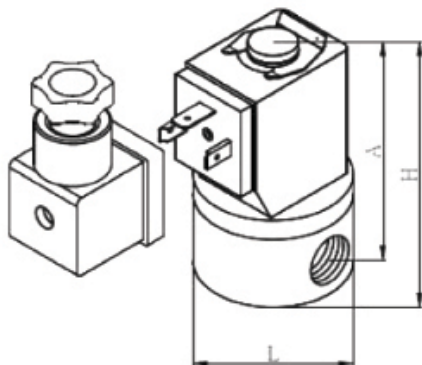
ELECTROMAGNETIC – SOLENOID VALVES

- Directly driven 2/2 valve,
- all teflon body,
- PTFE separation membrane,
- for aggressive chemicals or ozone,
- response time: open 5–20 ms, close 25–100 ms,
- el. protection class: IP65,
- voltage tolerance: $\pm 10\%$.

| Type | Connection | Orifice (mm) |
|------|------------|--------------|
| MP-T | BSP 1/4" | 2,5 |
| | | 4,0 |
| | | 6,0 |
| | BSP 3/8" | 4,0 |
| | | 6,0 |
| | | 8,0 |
| | BSP 1/2" | 6,0 |
| | | 9,0 |
| | | 12,0 |
| | BSP 3/4" | 10,0 |
| | | 15,0 |

| Type | Orifice (mm) | Coil | Temp. range | Working pressure (Bar) | | | | | | Kv factor (L/min) |
|--------------|--------------|------|-----------------------|------------------------|--------|--------|--------|---------|--------|-------------------|
| | | | | Coil 5 | | Coil 6 | | Coil 3E | | |
| | | | | Gas | Liquid | Gas | Liquid | Gas | Liquid | |
| MP 06 (1/4") | 2,5 | 5 | -5 °C to +80 °C | 4,0 | 5,0 | - | - | 1,5 | 4,0 | 1,8 |
| | 4,0 | | | 2,5 | 4,0 | - | - | 1,0 | 3,5 | 4,3 |
| | 6,0 | | | 1,0 | 3,0 | - | - | 0,5 | 2,0 | 9,5 |
| MP 10 (3/8") | 4,0 | 3E | | 2,5 | 4,0 | - | - | 1,0 | 3,0 | 5,0 |
| | 6,0 | | | 1,0 | 3,0 | - | - | 0,2 | 1,0 | 10,0 |
| | 8,0 | | | 0,5 | 1,0 | - | - | - | - | 15,0 |
| MP 15 (1/2") | 6,0 | 6 | | - | - | 3,0 | 5,0 | - | - | 16,7 |
| | 9,0 | | | - | - | 1,5 | 3,0 | - | - | 25,0 |
| | 12,0 | | | - | - | 0,5 | 2,0 | - | - | 33,3 |
| MP 20 (3/4") | 10,0 | | | - | - | 1,0 | 3,0 | - | - | 26,7 |
| | 15,0 | | | - | - | - | 0,5 | - | - | 41,7 |

| Type | A | | | H | | | L | | | Weight (kg) | | |
|--------------|--------|--------|---------|--------|--------|---------|--------|--------|---------|-------------|--------|---------|
| | Coil 5 | Coil 6 | Coil 3E | Coil 5 | Coil 6 | Coil 3E | Coil 5 | Coil 6 | Coil 3E | Coil 5 | Coil 6 | Coil 3E |
| MP 06 (1/4") | 67,00 | - | 65,00 | 77,00 | - | 75,00 | 45,00 | - | 45,00 | 0,42 | - | 0,60 |
| MP 10 (3/8") | 68,50 | - | 66,50 | 80,00 | - | 78,00 | 45,00 | - | 45,00 | 0,42 | - | 0,60 |
| MP 15 (1/2") | - | 93,00 | - | - | 109,00 | - | - | 70,00 | - | - | 0,87 | - |
| MP 20 (3/4") | - | 96,50 | - | - | 116,00 | - | - | 70,00 | - | - | 1,00 | - |



| | | | |
|---------|-------|-------|-----|
| Coils | 5 | 6 | 3E |
| AC (VA) | 66/46 | 66/50 | 9,2 |
| DC (W) | 18,5 | 25 | 10 |

www.mivalt.eu

MIVALT

VALVES | PUMPS | COMPRESSORS | BLOWERS | FILTRATION

MIVALT s. r. o. | Hlinky 34, 603 00 Brno | T: +420 513 036 228 | M: +420 775 660 081 | mivalt@mivalt.eu | obchod@mivalt.eu | www.mivalt.eu