

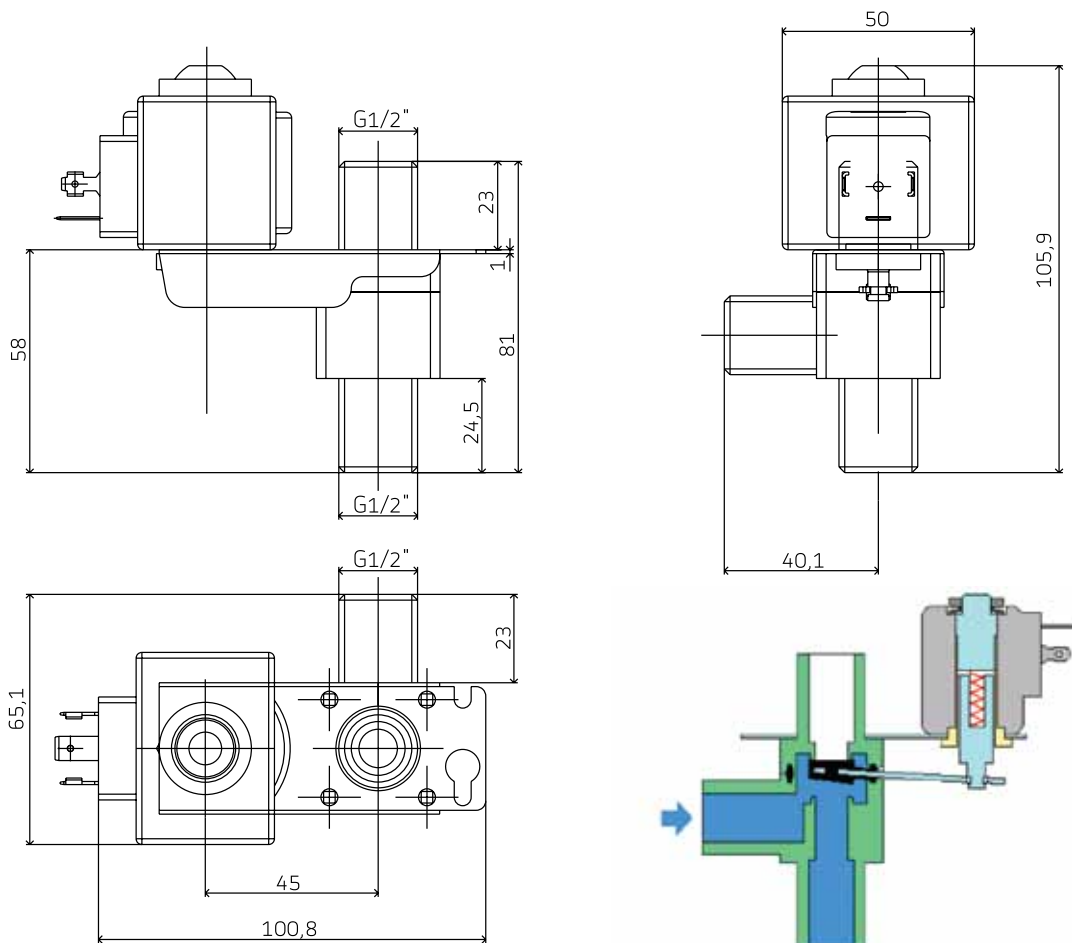
MP 160 three-way valve



ELECTROMAGNETIC – SOLENOID VALVES

- Directly driven, solenoid 3/2 distribution valve,
- usage: controlling fluid flow at low pressures up to 0,5 Bar,
- compact, lightweight,
- Kv factor 33 l/min,
- response time: open 5–20 ms,
- horizontal connection is input,
- vertical bottom output is normally open,
- vertical top output is normally closed,
- upon switching on the coil (energizing), the valve switches and closes the bottom output and opens the top one,
- voltage tolerance: $\pm 10\%$.

| Connection | Orifice (mm) | Working differential pressure (bar) | | Material | | Weight (kg) | Voltage (VAC) | Consumption (Watt) |
|------------|--------------|-------------------------------------|-----|----------|------|-------------|---------------|--------------------|
| | | Min | Max | Body | Seal | | | |
| G 1/2 | 10 | 0 | 0,5 | PP | NBR | 0,55 | 230 | 8 |



www.mivalt.eu

MIVALT

VALVES | PUMPS | COMPRESSORS | BLOWERS | FILTRATION

MIVALT s. r. o. | Hlinky 34, 603 00 Brno | T: +420 513 036 228 | M: +420 775 660 081 | mivalt@mivalt.eu | obchod@mivalt.eu | www.mivalt.eu