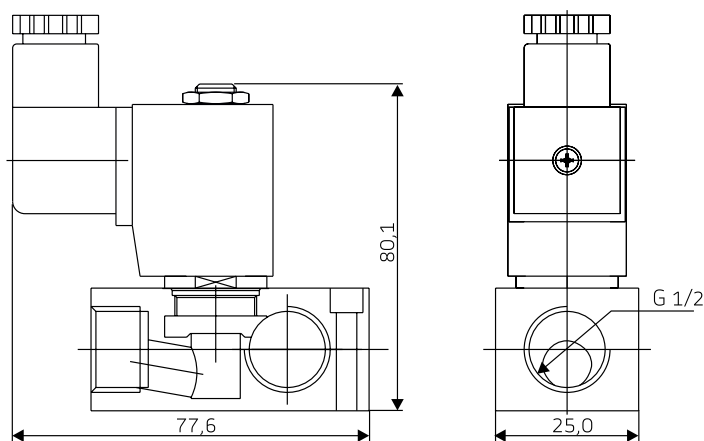


MP 163 two-way valve



ELECTROMAGNETIC – SOLENOID VALVES

- Directly driven 2/2 valves,
- medium: air,
- differential pressure: 0–0,35 Bar,
- maximum pressure: 1 Bar,
- ambient temperature: $-20 \div +55 \text{ }^\circ\text{C}$,
- fluid temperature: $-25 \div +90 \text{ }^\circ\text{C}$,
- Kv factor 21 l/min,
- response time: open 5–20 ms,
- sealing: NBR,
- aluminium body,
- valve can operate in any position,
- high reliability, long life,
- orifice DN 12 mm,
- consumption 9 Watt,
- el. connection: ISO4400, IP65,
- voltage tolerance: $\pm 10\%$.



MP 163–4 four-valves manifold



ELECTROMAGNETIC – SOLENOID VALVES

- Directly driven 4 x 2/2 valves,
- medium: air,
- differential pressure: 0–0,35 Bar,
- maximum pressure: 1 Bar,
- ambient temperature: $-20 \div +55 \text{ }^\circ\text{C}$,
- fluid temperature: $-25 \div +90 \text{ }^\circ\text{C}$,
- Kv factor 21 l/min,
- response time: open 5–20 ms,
- Sealing: NBR,
- valve can operate in any position,
- high reliability, long life,
- orifice DN 12 mm,
- consumption 9 Watt,
- el. connection: ISO4400, IP65,
- voltage tolerance: $\pm 10\%$.