

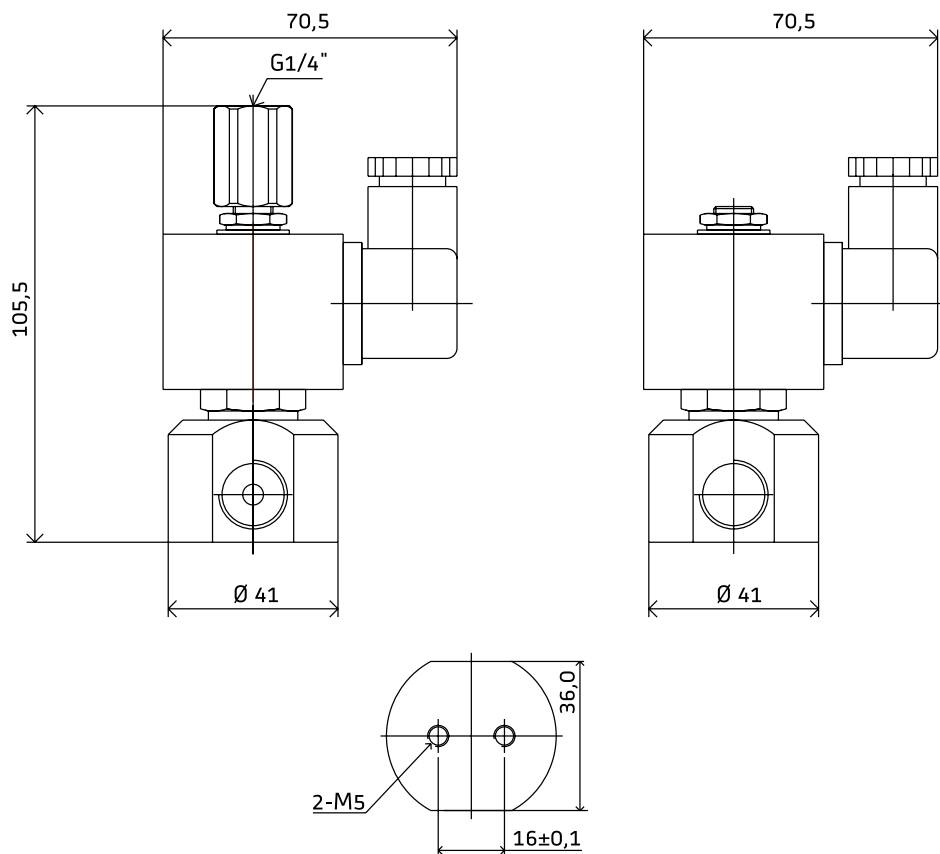
ELECTROMAGNETIC – SOLENOID VALVES

MPW 22 2/2 way, MPW 23 3/2 way stainless steel valves



- Series MPW 22 – 2/2 directly driven stainless steel,
- series MPW 23 – 3/2 directly driven stainless steel,
- body material: stainless steel 304,
- valve can operate in any position,
- high reliability, long life,
- medium: air, water,
- maximum pressure: 60 Bar (6 MPa),
- ambient temperature: $-40 \div +60$ °C,
- fluid temperature: $-40 \div +95$ °C,
- sealing: FPM,
- medium viscosity < 20 cSt,
- response time: open 5–20 ms,
- connector specification / el. connection: DIN4400/EN175301-803, IP65,
- standard voltage 230 V/50 Hz, possibility of 12VDC, 24VDC, 24VAC,
- power consumption 19 VA,
- voltage tolerance: ± 10 %.

Type	MPW22					MPW23		
Orifice (mm)	2	3	3,5	4	5	2 (NC)	2 (NO)	2 (universal)
Working differential pressure (Bar)	0–55	0–26	0–16	0–14	0–10	0–7	0–20	0–8
Cv factor (m ³ /h)	1,8	3,5	4,3	5,4	6,8	1,8	1,8	1,8



www.mivalt.eu

MIVALT

VALVES | PUMPS | COMPRESSORS | BLOWERS | FILTRATION

MIVALT s. r. o. | Hlinky 34, 603 00 Brno | T: +420 513 036 228 | M: +420 775 660 081 | mivalt@mivalt.eu | obchod@mivalt.eu | www.mivalt.eu