

# ELECTROACTUATOR WITH BALL VALVES

## MPA 100-T single action Electro-actuator with valve



- Models: 5/4", 6/4", 2",
- maximum working pressure: 1 MPa (10 Bar),
- Models: 1/2", 3/4", 1",
- maximum working pressure: 1,6 MPa (16 Bar),
- medium: fluid, gas,
- voltage: 9–35 VDC/AC, 110–240 V AC,
- peak current: 500 mA,
- Guaranteed lifetime: 70 000 cycles,
- Response time/opening/closing time: 6 seconds,
- Valve body material: BRASS, AISI 304, AISI 316,
- Actuator body material: thermoplastic,
- Ball valve sealing: FKM, PTFE,
- working path: 90°,
- max. Torque: 10 Nm,
- Cable length: 1,5 meter,
- Medium temperature: 2 to +90° C (140° C with prolonged version),
- Ambient temperature: 0–55° C,
- Manual operation: possible with 9–35 VDC/AC version,
- Position indication: visual, electrical switch possible,
- Protection class: IP67.

### DIMENSION:

Type	Connection D1/D2	DN (mm)	D	L1	L2	E1	H1	H2
MPA100xx-T15 xx	BSP 1/2"	15	15	63	14	25	96	17
MPA100xx-T20xx	BSP 3/4"	20	20	72	17	31	100	20
MPA100xx-T25 xx	BSP 1"	25	25	81	18	38	107	24
MPA100xx-T32 xx	BSP 5/4"	32	32	102	23	47	122	31
MPA100xx-T40 xx	BSP 1 1/2"	40	38	115	25	52	130	36
MPA100xx-T50 xx	BSP 2"	50	50	130	25	66	138	45

### PRODUCT CODE:

**MPA XX XX - TXX XX X**

ELEKTROPOHON VENTIL

For example: **MPA100 NC - T40 316 H**

Single action actuator

Size:

20 for valves 1/2"–1"

100 for 5/4"–2"

Position of whole in ball

without electricity:

NC normally closed

NO normally open

502 – feedback/ end switch

Valve with flange for actuator MPA

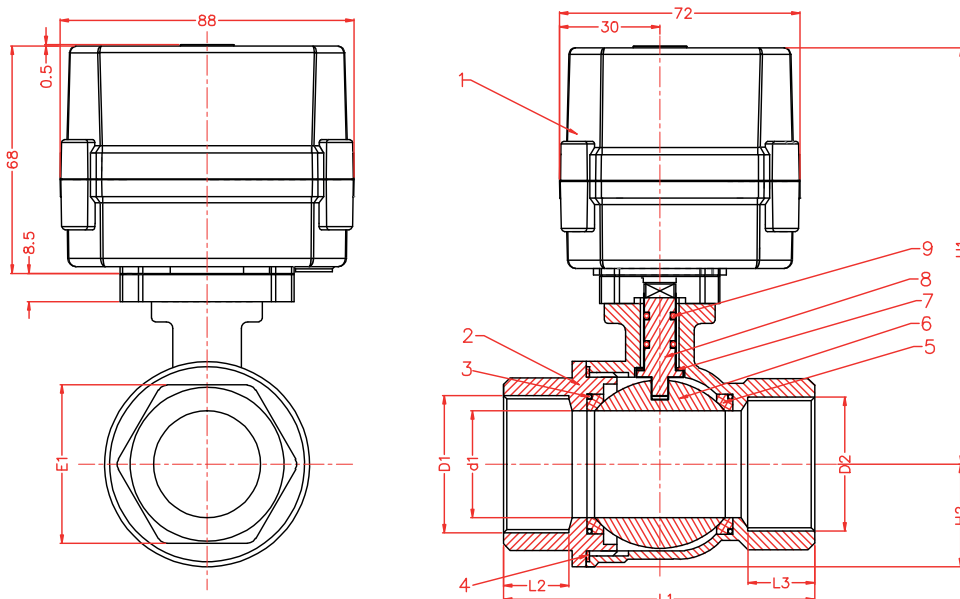
DN of valve

Valve material:  
B – Brass  
304 – steel AISI304  
316 – stainless steel  
AISI316

□ – standard  
H – high temperature  
above 80 °C

3 – three -way valve

### VALVE DIMENSIONS:



www.mivalt.eu

**MIVALT**

VALVES | PUMPS | COMPRESSORS | BLOWERS | FILTRATION

MIVALT s. r. o. | Hlinky 34, 603 00 Brno | T: +420 513 036 228 | M: +420 775 660 081 | mivalt@mivalt.eu | obchod@mivalt.eu | www.mivalt.eu