

ELECTRO-ACTUATORS WITH BALL VALVES

MPA 20-T single action Electro-actuator with valve

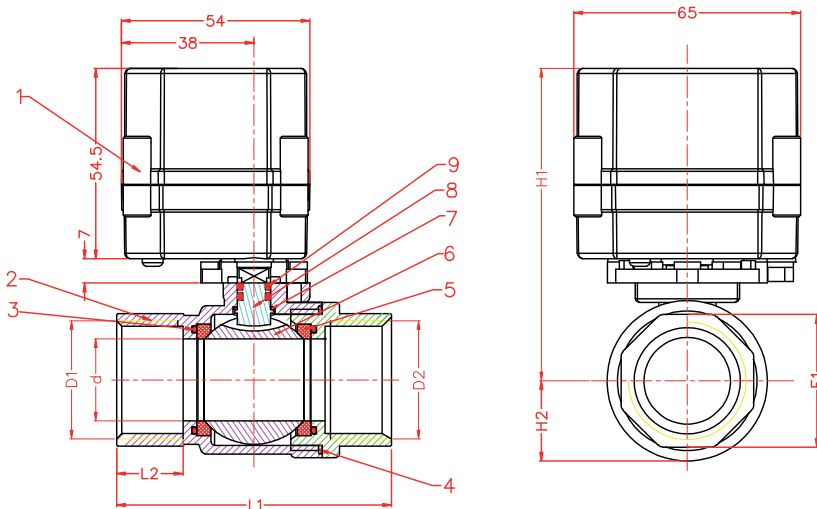


- Models: ½", ¾", 1"
- maximum working pressure: 1 MPa (10 Bar),
- medium: fluid, gas,
- voltage: 9–35 VDC/AC, 110–240 V AC,
- peak current: 500 mA,
- Guaranteed lifetime: 70 000 cycles,
- Response time/opening/closing time: 6 seconds,
- Valve body material: BRASS, AISI 304, AISI 316,
- Actuator body material: thermoplastic,
- Ball valve sealing: FKM, PTFE,
- working path: 90°,
- max. Torque: 2 Nm,
- Cable length: 1,5 meter,
- Medium temperature: 2 to +90° C
(140° C with prolonged version).
- Ambient temperature: 0–55°C,
- Manual operation: possible with 9–35 VDC/AC version,
- Position indication: visual, electrical switch possible,
- Protection class: IP67.

DIMENSIONS:

Type	Connection D1/D2	DN (mm)	D	L1	L2	E1	H1	H2
MPA20xx-T15 xx	BSP ½"	15	15	63	14	25	83	17
MPA20xx-T20 xx	BSP ¾"	20	20	72	17	31	87	20
MPA20xx-T25 xx	BSP 1"	25	25	81	18	38	95	24

VALVE DIMENSIONS:



PRODUCT CODE:

MPA XX XX - TXX XX X

ELEKTROPHON VENTIL

For example: **MPA20 NC - T40 316 H**

Single action actuator

Size:

20 for valves ½"–1"
100 for 5/4"–2"

Position of whole in ball without electricity:

NC normally closed

NO normally open

502 – feedback/ end switch

Valve with flange for actuator MPA

DN of valve

Valve material:

B – Brass

304 – steel AISI304

316 – stainless steel

AISI316

□ – standard

H – high temperature
above 80 °C

3 – three -way valve