

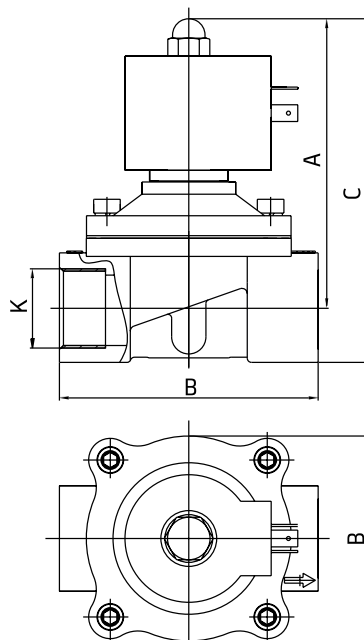
MP-W stainless steel two-way valves



ELECTROMAGNETIC – SOLENOID VALVES

- Works from zero pressure,
- membrane directly controlled by core of coil over spring,
- high reliability, long life,
- medium: air/water/oil up to 40 cSt,
- working pressure: air 0–10 Bar, water, oil: 0–7 Bar,
- maximum pressure: 10 Bar (1 MPa),
- ambient temperature: $-5 \div 55 \text{ }^\circ\text{C}$,
- medium temperatures:
 - for NBR membranes $-10 \div +85 \text{ }^\circ\text{C}$
 - for Viton – water $-10 \div +95 \text{ }^\circ\text{C}$
 - air $-25 \div +95 \text{ }^\circ\text{C}$
- material of body: brass (standard),
stainless steel – suffix S,
- sealing: NBR – standard,
VITON – suffix V,
EPDM suffix E,
- normally closed – standard,
normally open – suffix K,
- voltage options: 230 V 50/60 Hz
24V 50/60 Hz,
24VDC, 12VDC,
- el. connection: ISO4400, IP65,
- voltage tolerance: $\pm 10 \%$.

Type	Orifice (mm)	Connection	Consumption AC (VA)	Consumption DC (W)	Weight (kg)	Cv factor (m ³ /h H ₂ O at Δp 1 Bar)
MP-W16015	16	1/2"	26	30	0,8	4,8
MP-W20020	20	3/4"	26	30	0,8	7,6
MP-W25025	25	1"	26	30	1,2	12
MP-W35035	35	1 1/4"	28	30	1,8	24
MP-W40040	40	1 1/2"	28	30	2,4	29
MP-W50050	50	2"	28	30	4,0	48



Type	A	B	C	D	K
MP-W16015	93	56	106	69	G 1/2"
MP-W20020	100	55	117	73	G 3/4"
MP-W25025	104	78	125	99	G 1"
MP-W35035	141	93	172	124	G 1 1/4"
MP-W40040	141	93	172	124	G 1 1/2"
MP-W50050	157	124	195	172	G 2"

MIVALT

VALVES | PUMPS | COMPRESSORS | BLOWERS | FILTRATION

MIVALT s. r. o. | Hlinky 34, 603 00 Brno | T: +420 513 036 228 | M: +420 775 660 081 | mivalt@mivalt.eu | obchod@mivalt.eu | www.mivalt.eu

