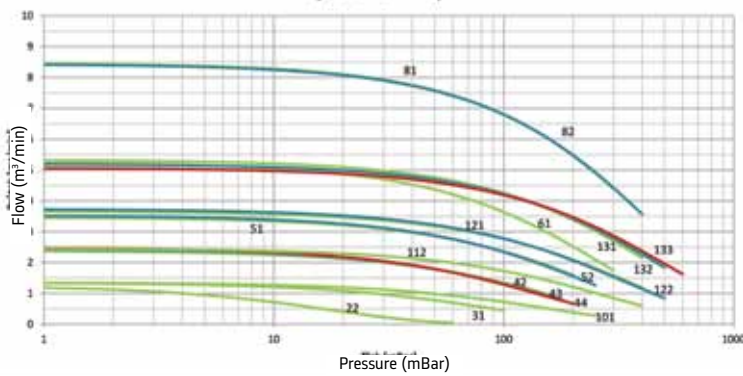


BLOWERS

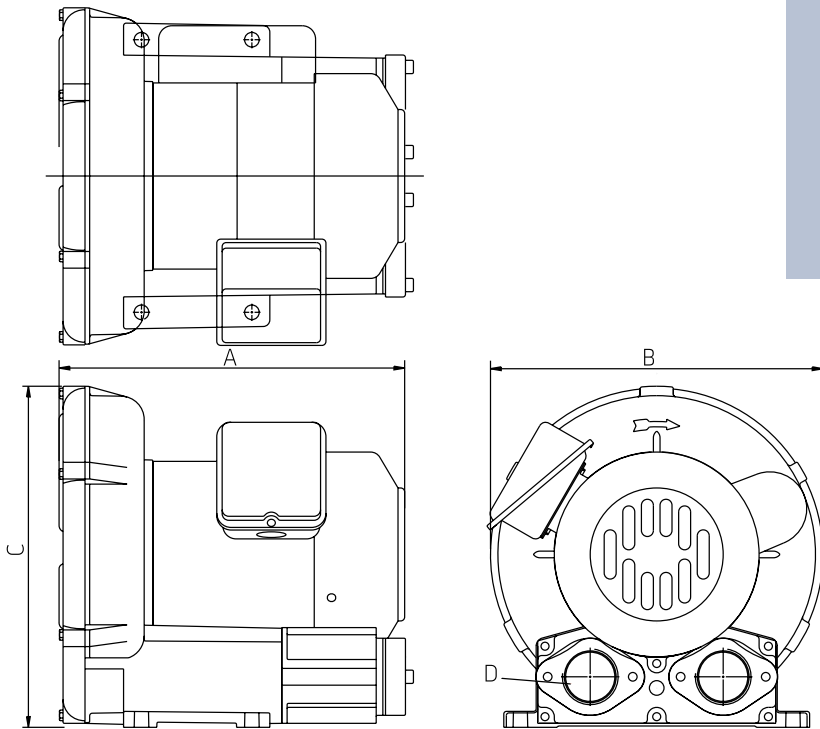
Performance curves



BLOWERS ACCESSORIES:

We offer complete accessories for RB blowers. We will recommend you accessories for your application to be possible easily plug and run. We usually supply: inlet filters, relief valves for pressure/vacuum applications, elbows, endings.

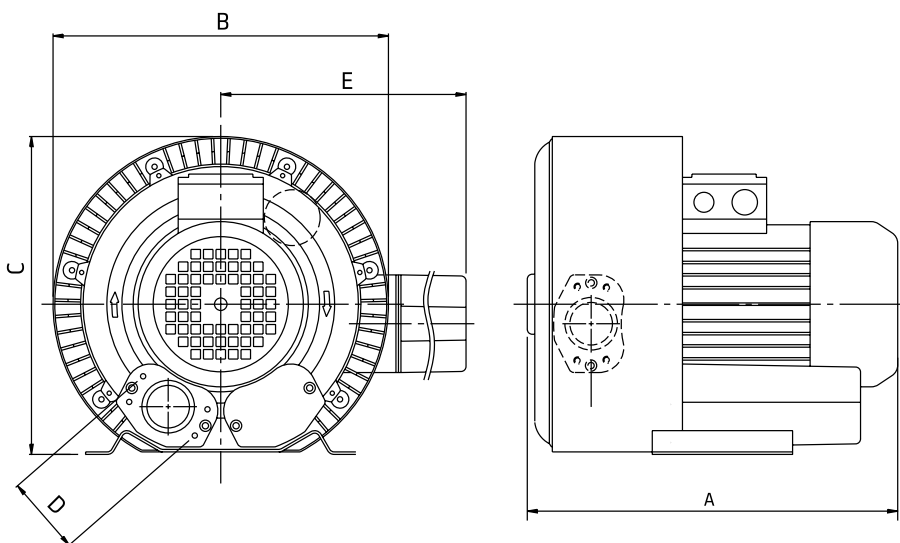
One stage blowers



Installation dimensions:

Type	A lenght (mm)	B width (mm)	C height (mm)	D conn. (mm)
RB20	225	212	238	ø 30
RB30	256	230	257	G1½
RB40	261	255	303	G1½
RB50	468	466	521	G2½
RB60	394	382	413	ø 55
RB80	487	466	546	G2½

Two stages blowers



Installation dimensions:

Type	A lenght (mm)	B width (mm)	C height (mm)	D conn. (mm)	E (mm)
RB30	316	284	271	64	317
RB40	392	321	315	72	321
RB50	495	372	345	82,5	411
RB60	586	426	410	82,5	424

Detailed technical drawing in electronic version (.dwg) with dimensions upon request...



MIVALT

VALVES | PUMPS | COMPRESSORS | BLOWERS | FILTRATION

MIVALT s. r. o. | Hlinky 34, 603 00 Brno | T: +420 513 036 228 | M: +420 775 660 081 | mivalt@mivalt.eu | obchod@mivalt.eu | www.mivalt.eu